

ORBITAL WELDING POWER SUPPLY ORBIMAT 180 SW



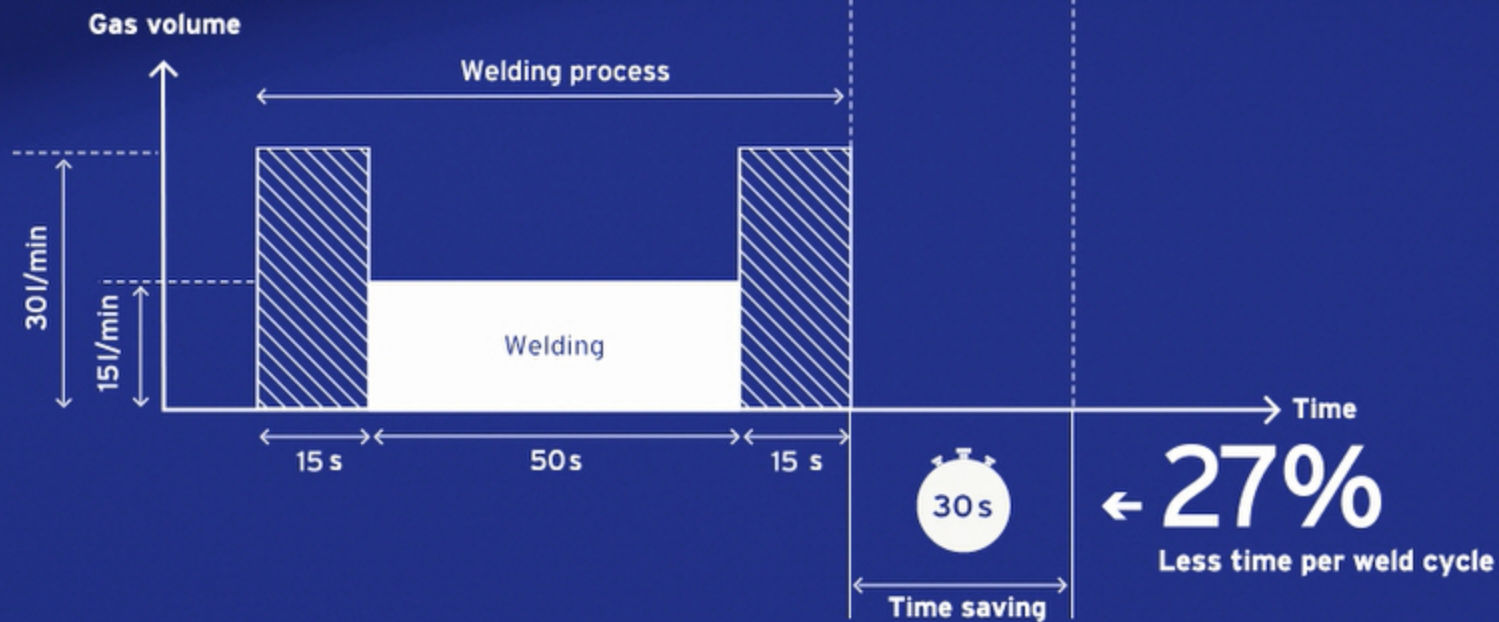
TIME SAVING DUE TO DIGITAL CONTROLLED FLOW-FORCE FUNCTION



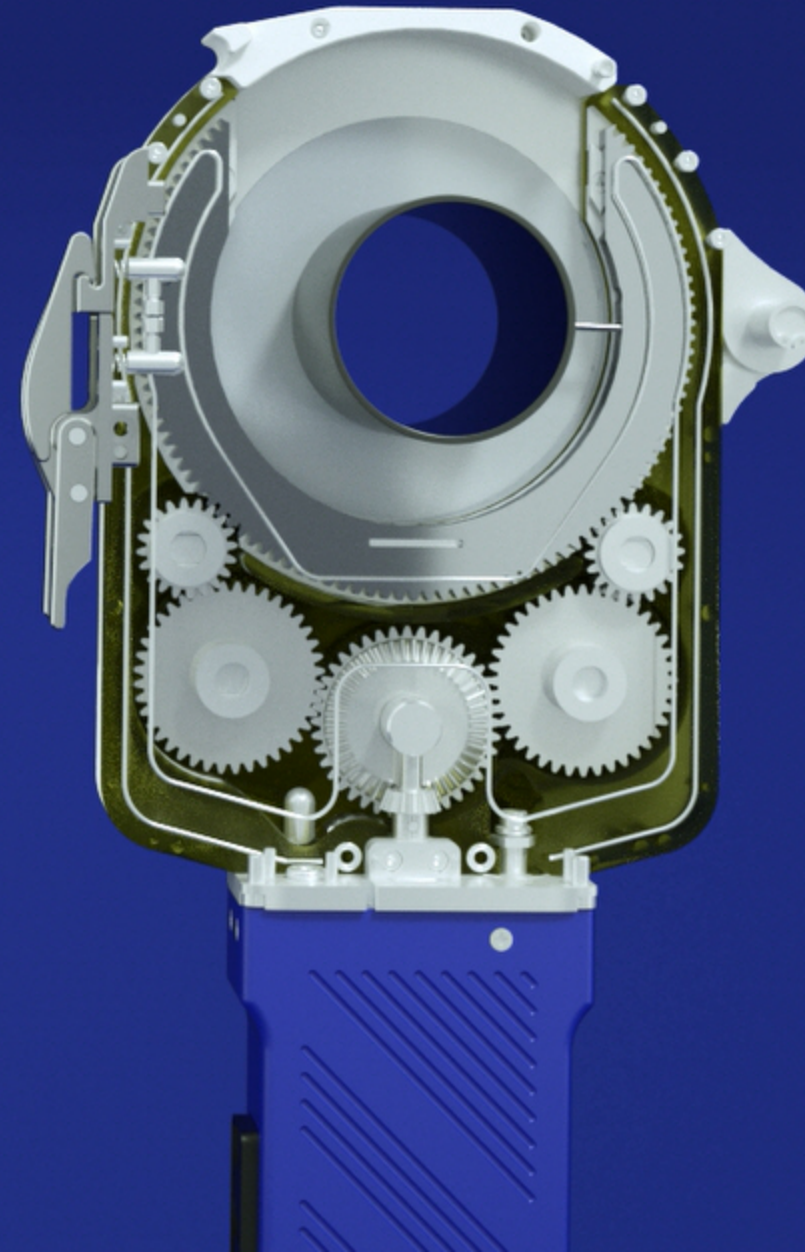
TRADITIONAL CYCLE



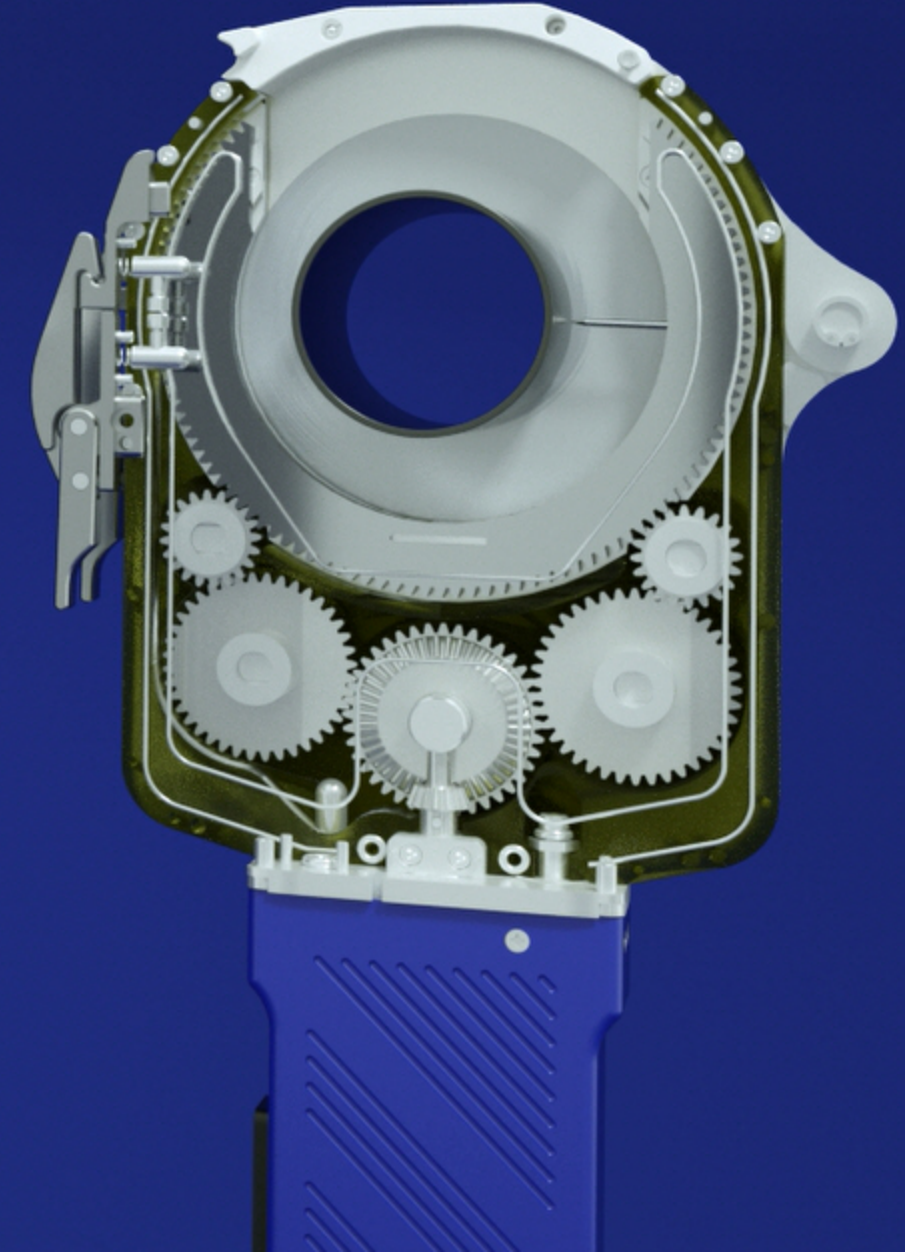
DIGITAL CONTROLLED FLOW FORCE CYCLE



DIGITAL CONTROLLED FLOW FORCE CYCLE



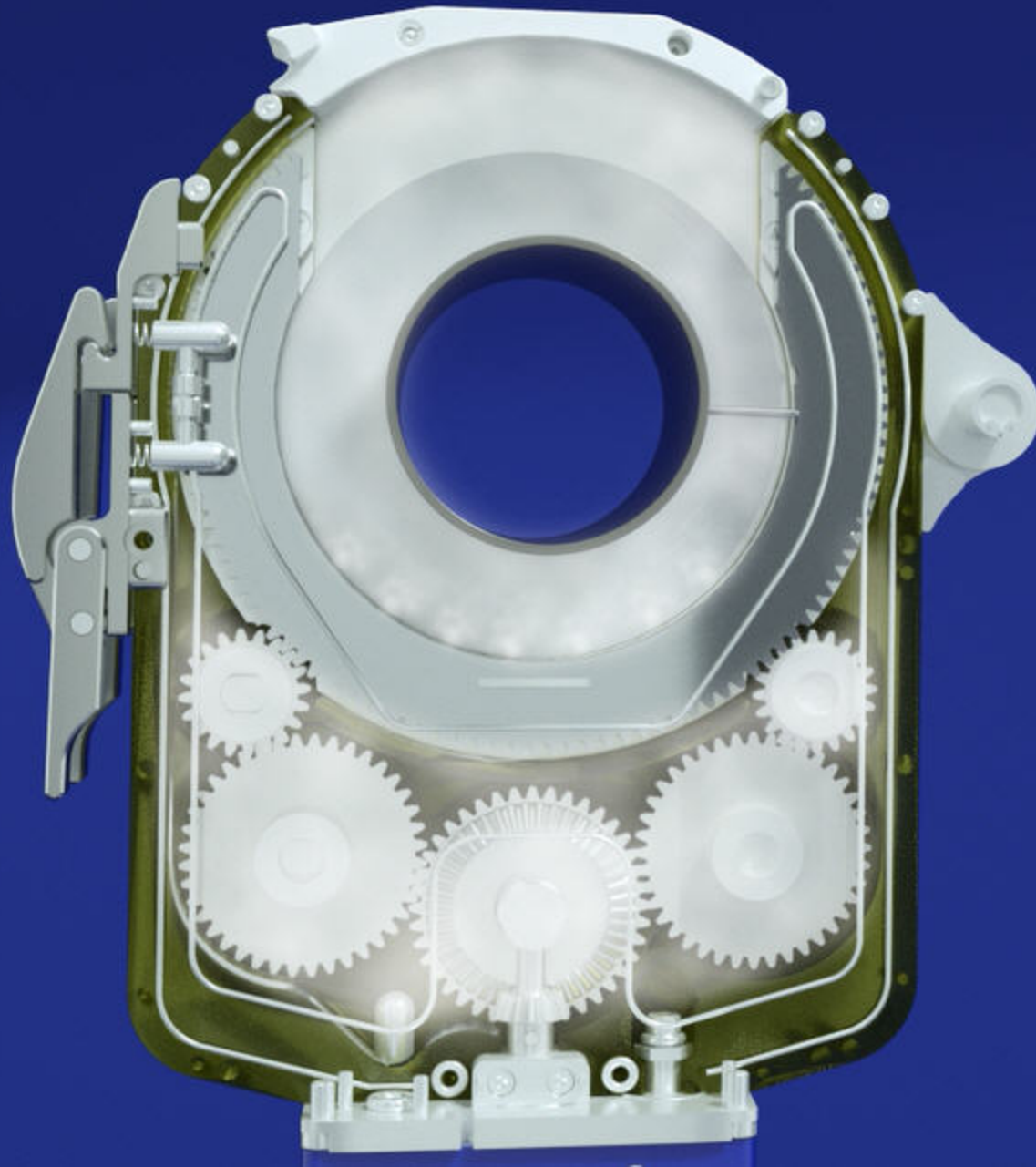
TRADITIONAL CYCLE



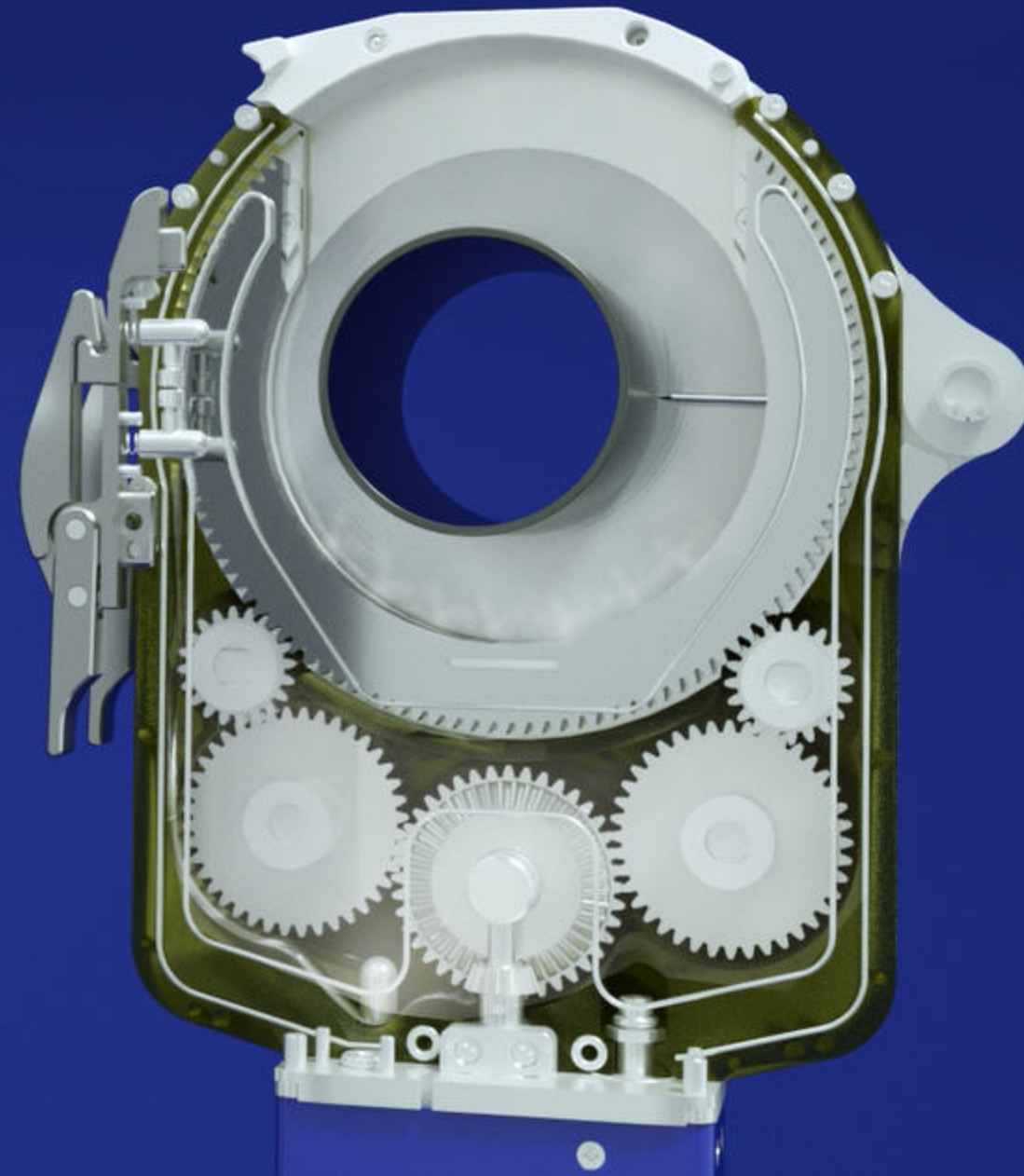
TIME SAVING DUE TO DIGITAL CONTROLLED FLOW-FORCE FUNCTION



DIGITAL CONTROLLED
FLOW FORCE CYCLE



TRADITIONAL CYCLE



TIME SAVING DUE TO DIGITAL CONTROLLED FLOW-FORCE FUNCTION

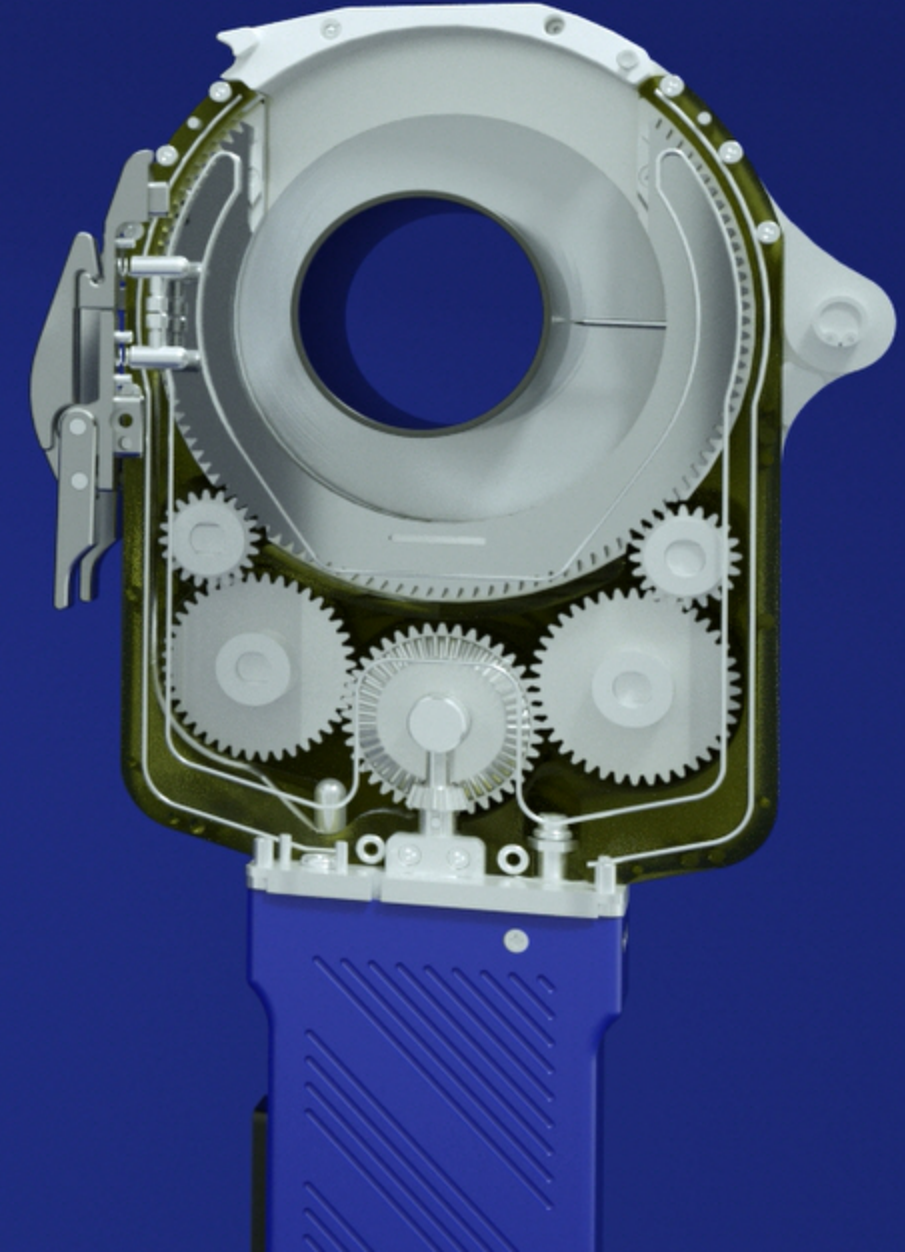
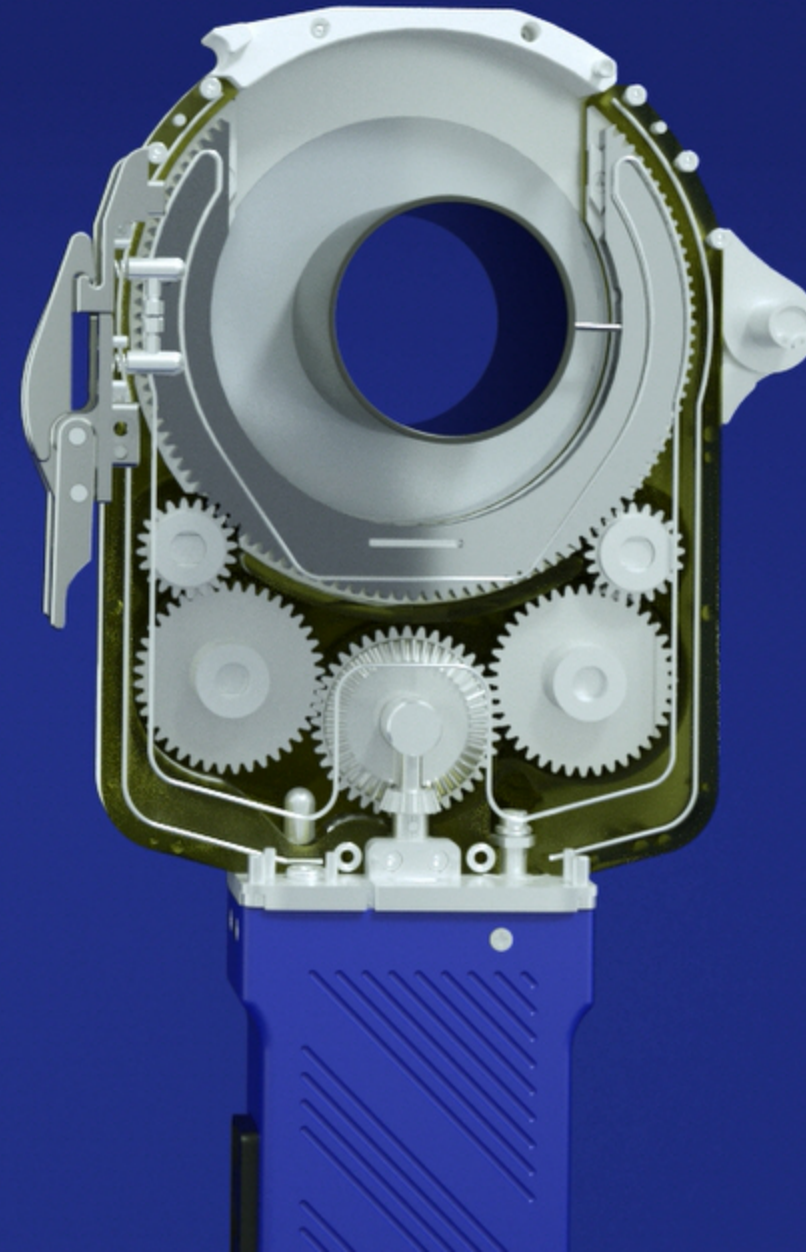


DIGITAL CONTROLLED
FLOW FORCE CYCLE



DIGITAL CONTROLLED
FLOW FORCE CYCLE

TRADITIONAL CYCLE



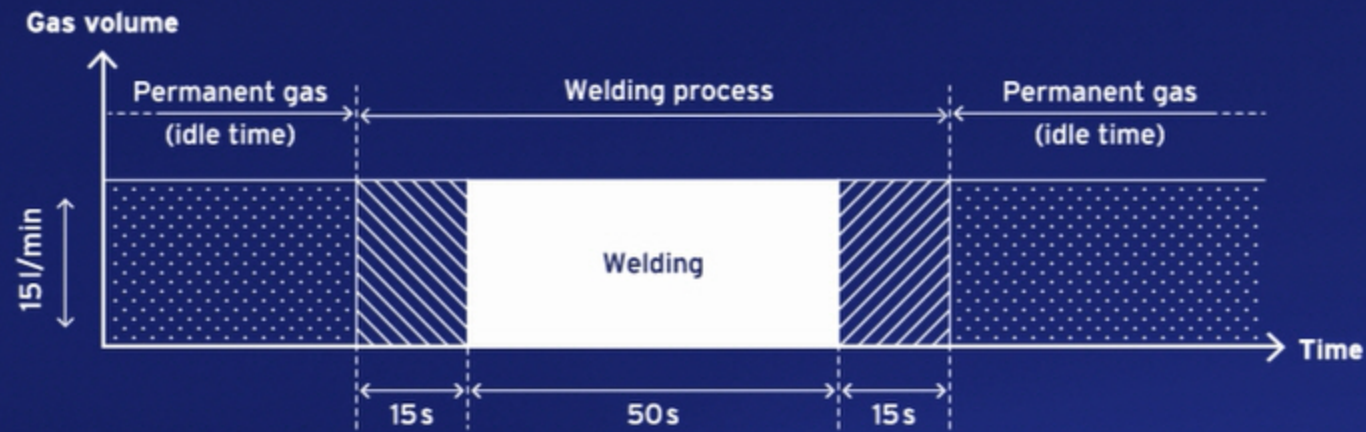
PRODUCTIVITY

- Reduces total welding time
- Increases arc on time
- Delivers more welds per shift
- Lowers weld head temperatures

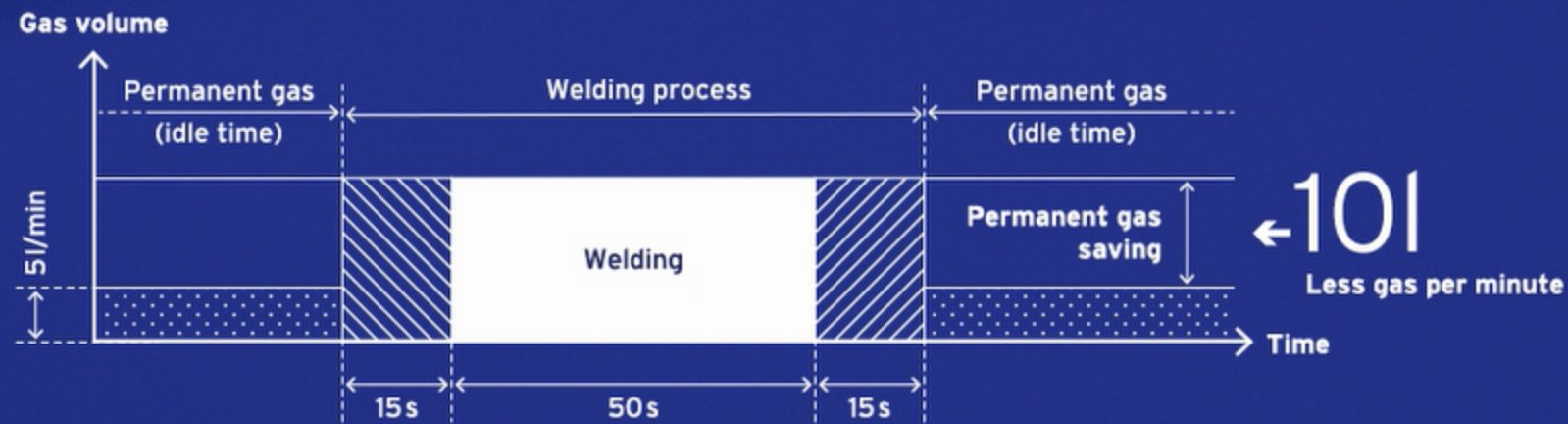
COST SAVING DUE TO DIGITAL CONTROLLED PERMANENT-GAS FLOW



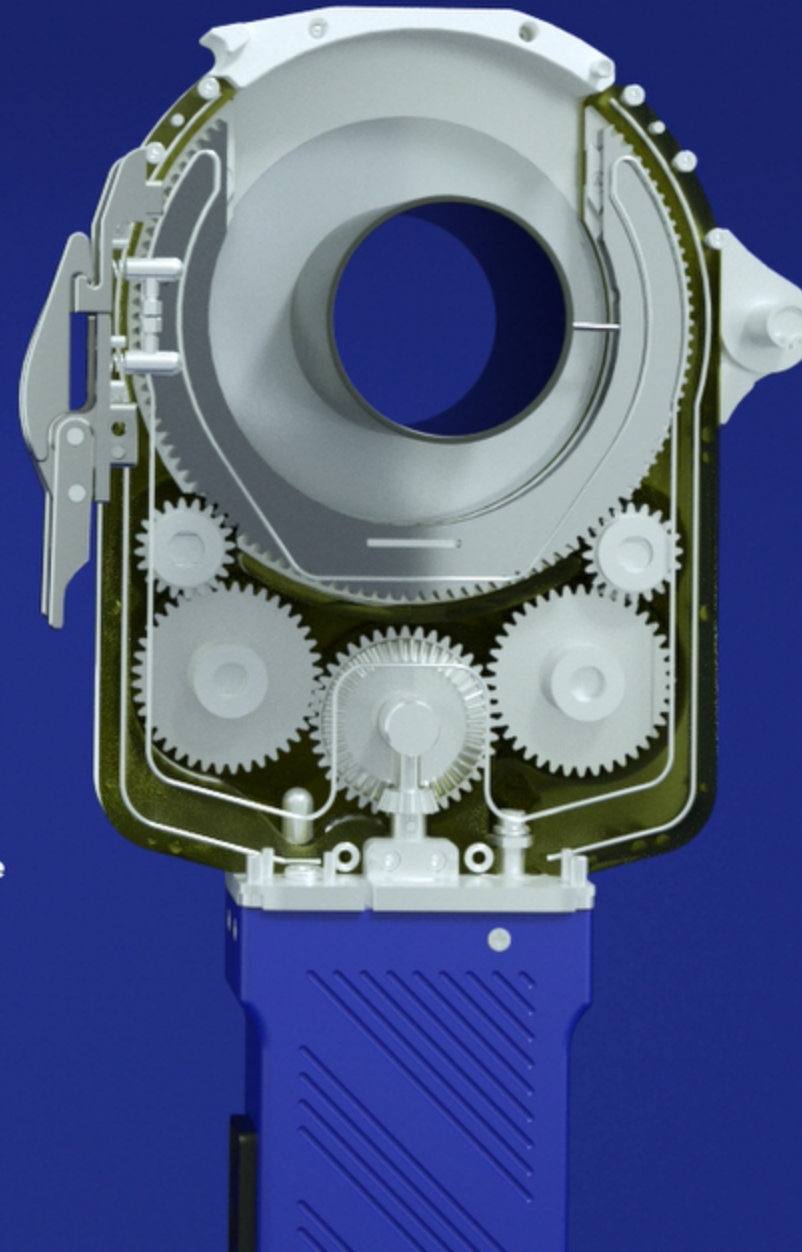
TRADITIONAL PERMANENT GAS



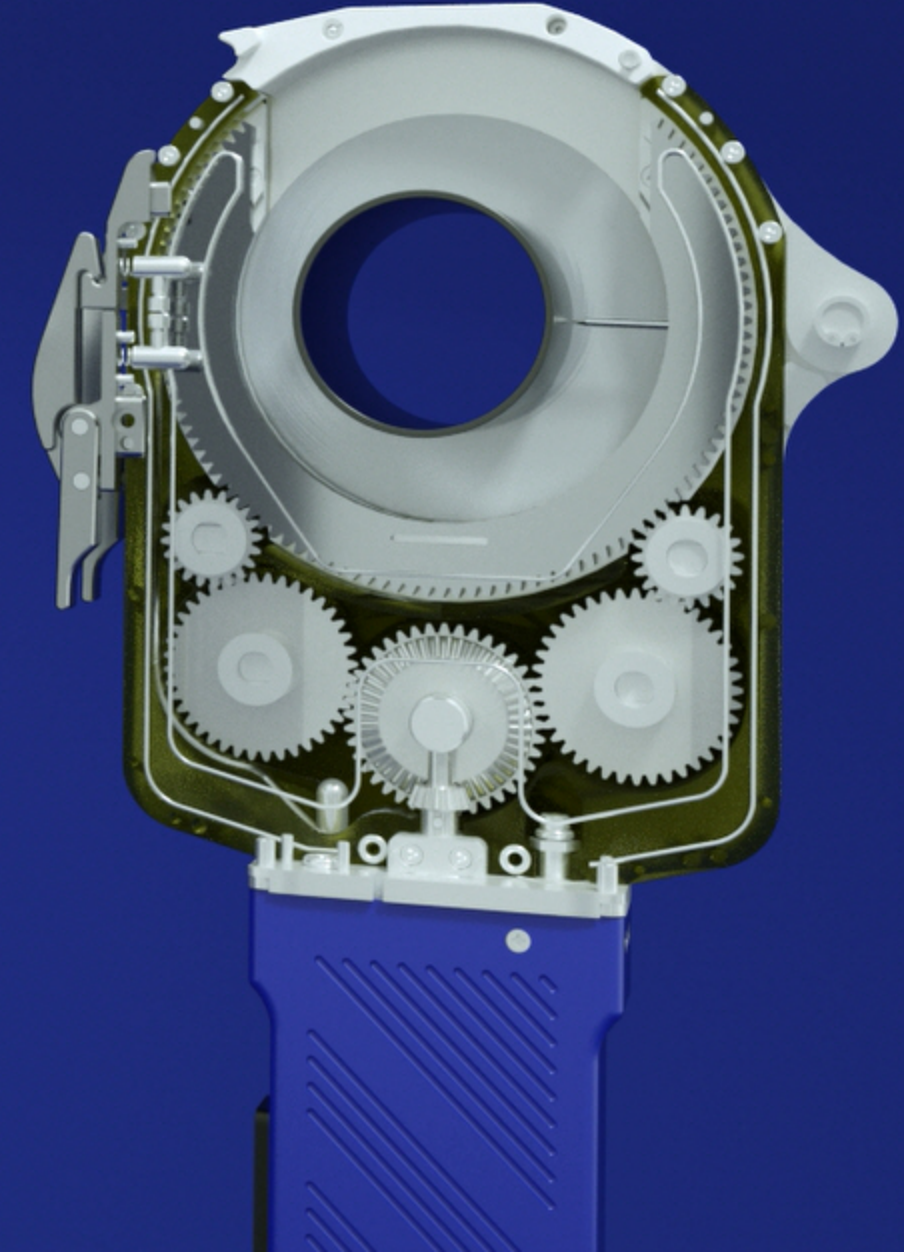
DIGITAL CONTROLLED PERMANENT GAS



DIGITAL CONTROLLED PERMANENT-GAS



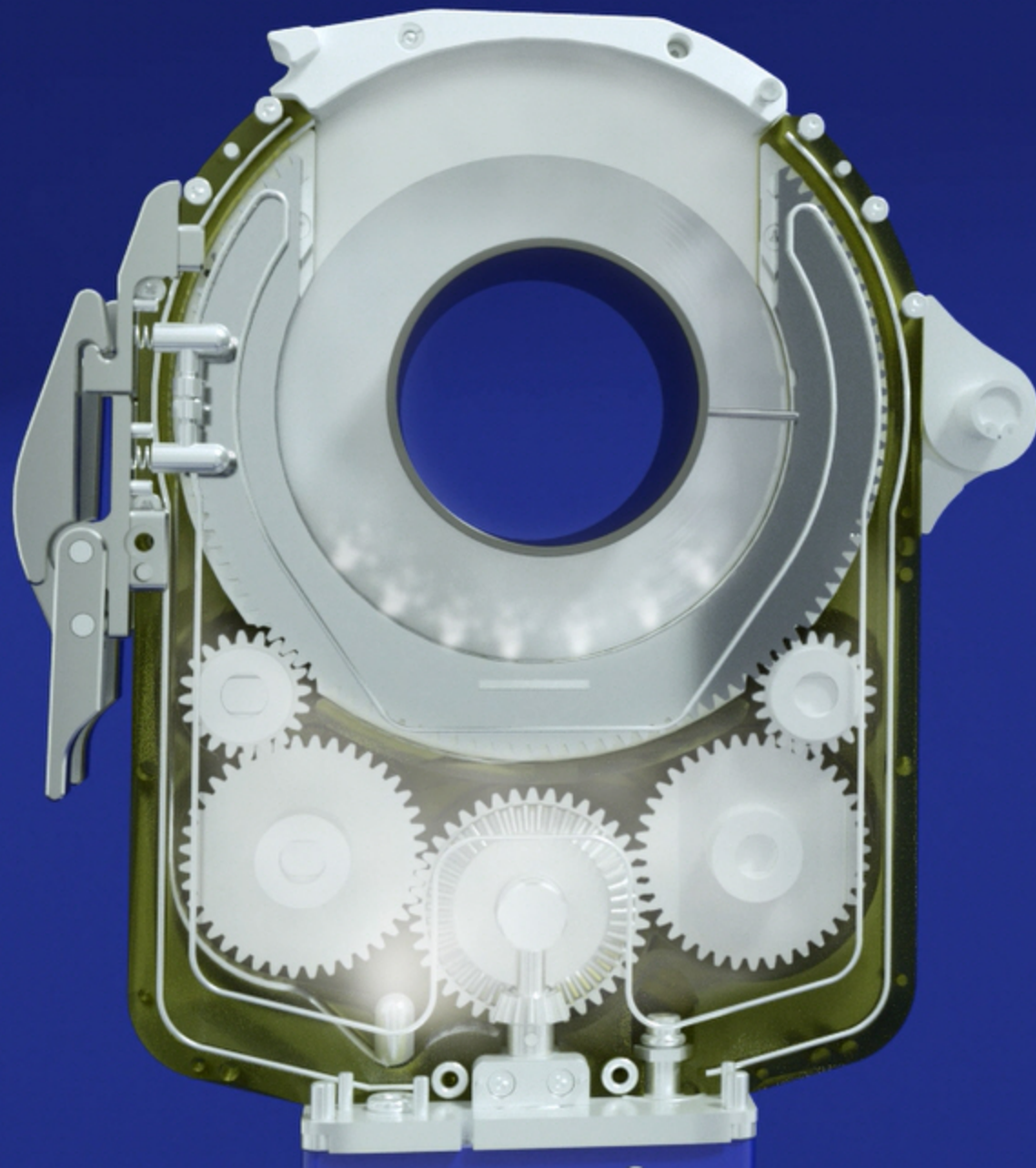
TRADITIONAL CYCLE



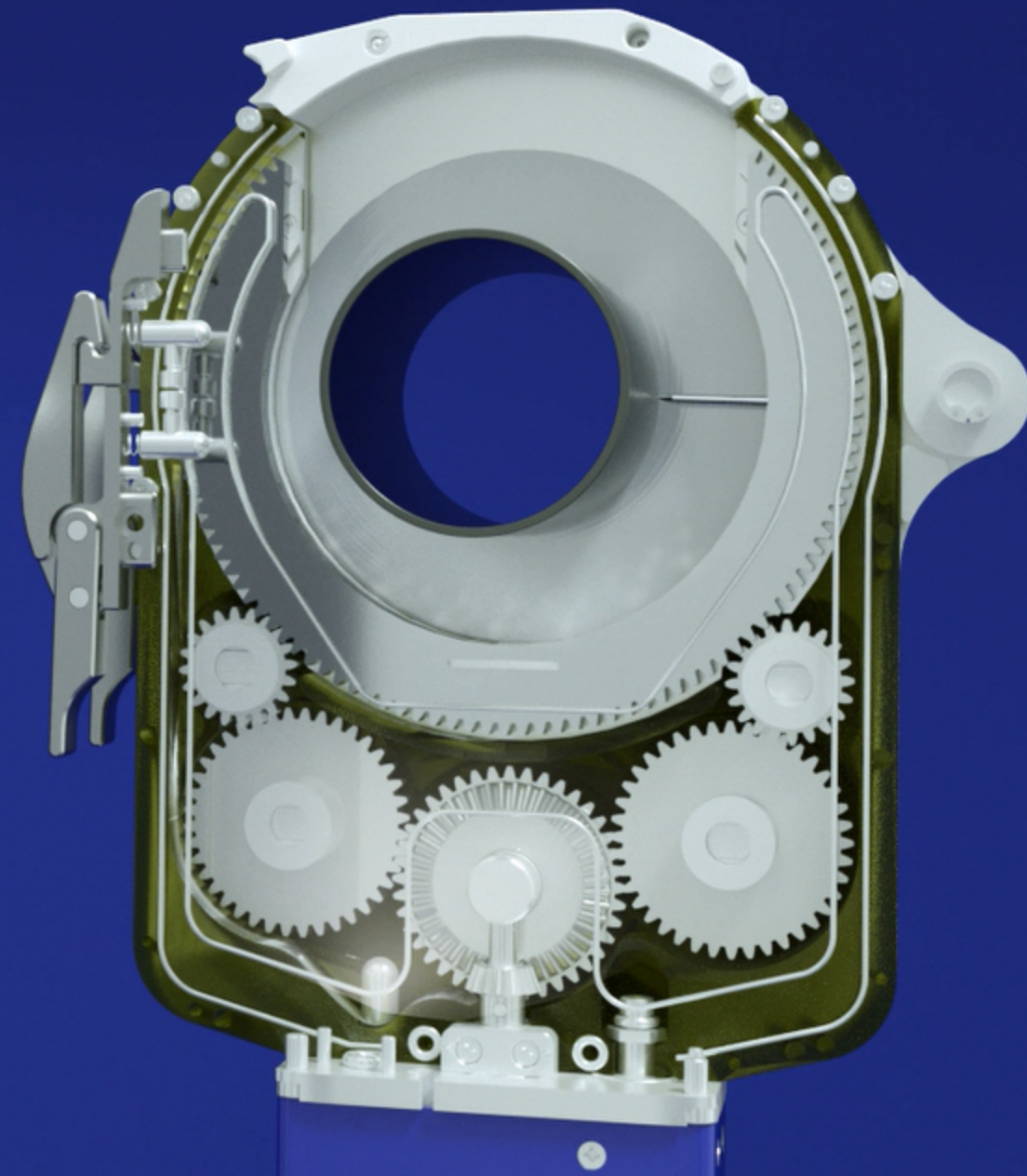
COST SAVING DUE TO DIGITAL CONTROLLED PERMANENT-GAS FLOW



DIGITAL CONTROLLED
PERMANENT-GAS



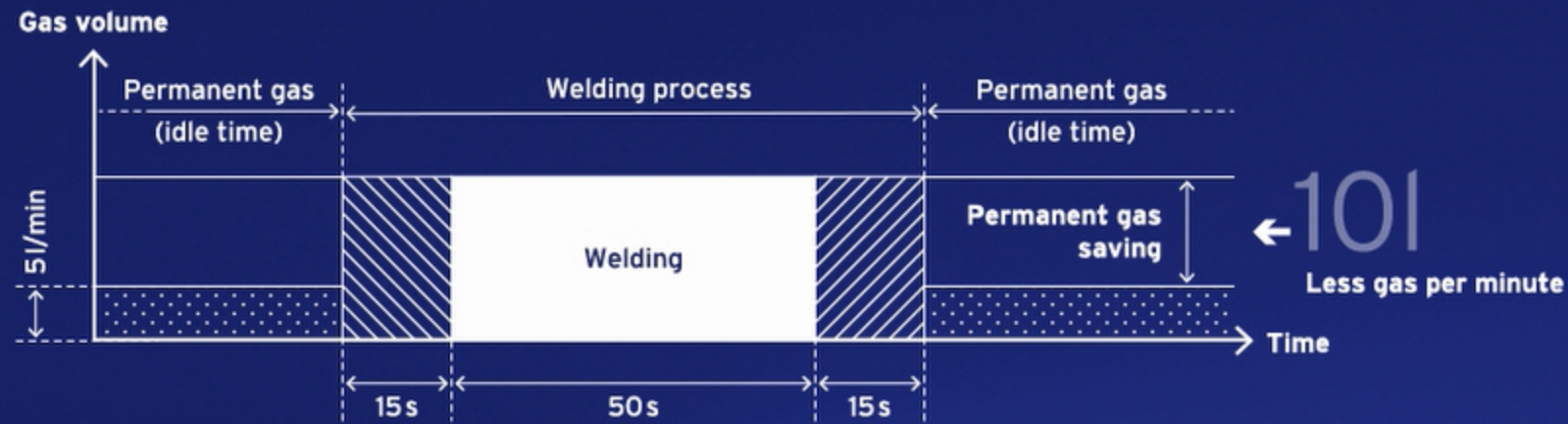
TRADITIONAL CYCLE



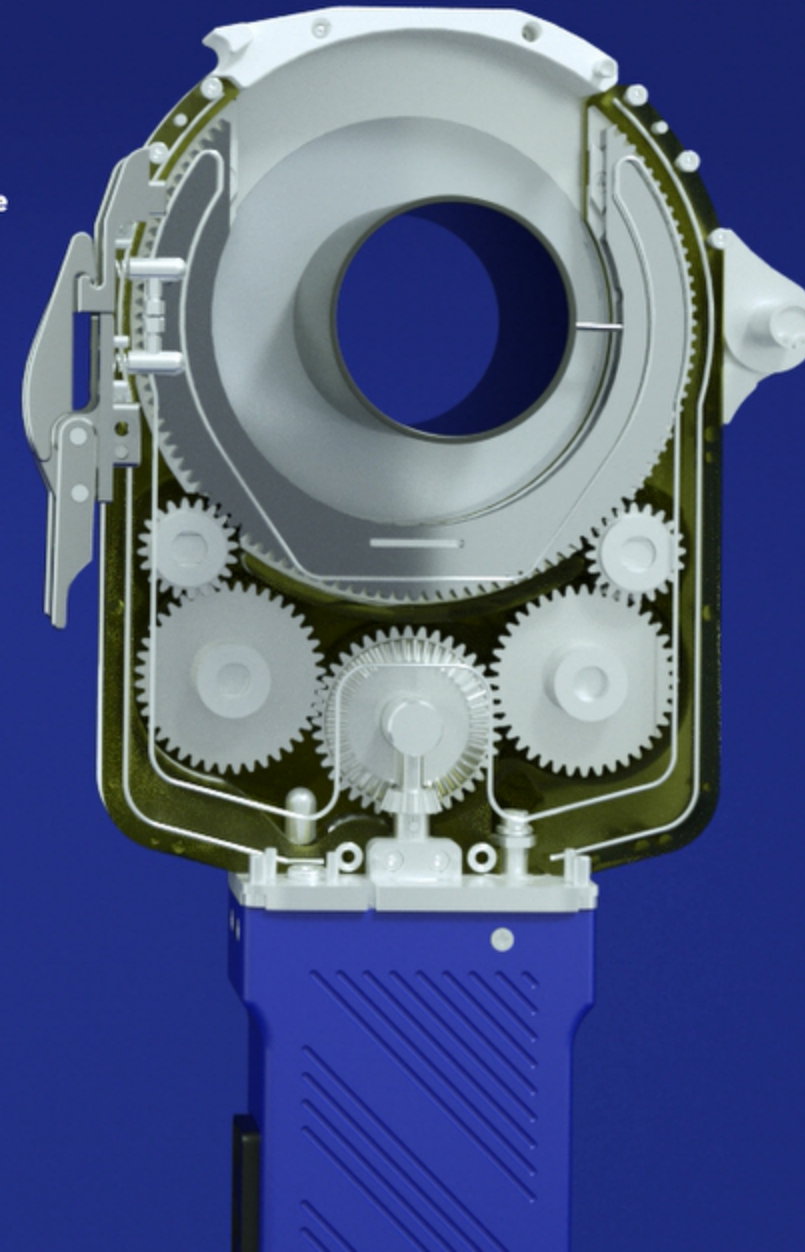
COST SAVING DUE TO DIGITAL CONTROLLED PERMANENT-GAS FLOW



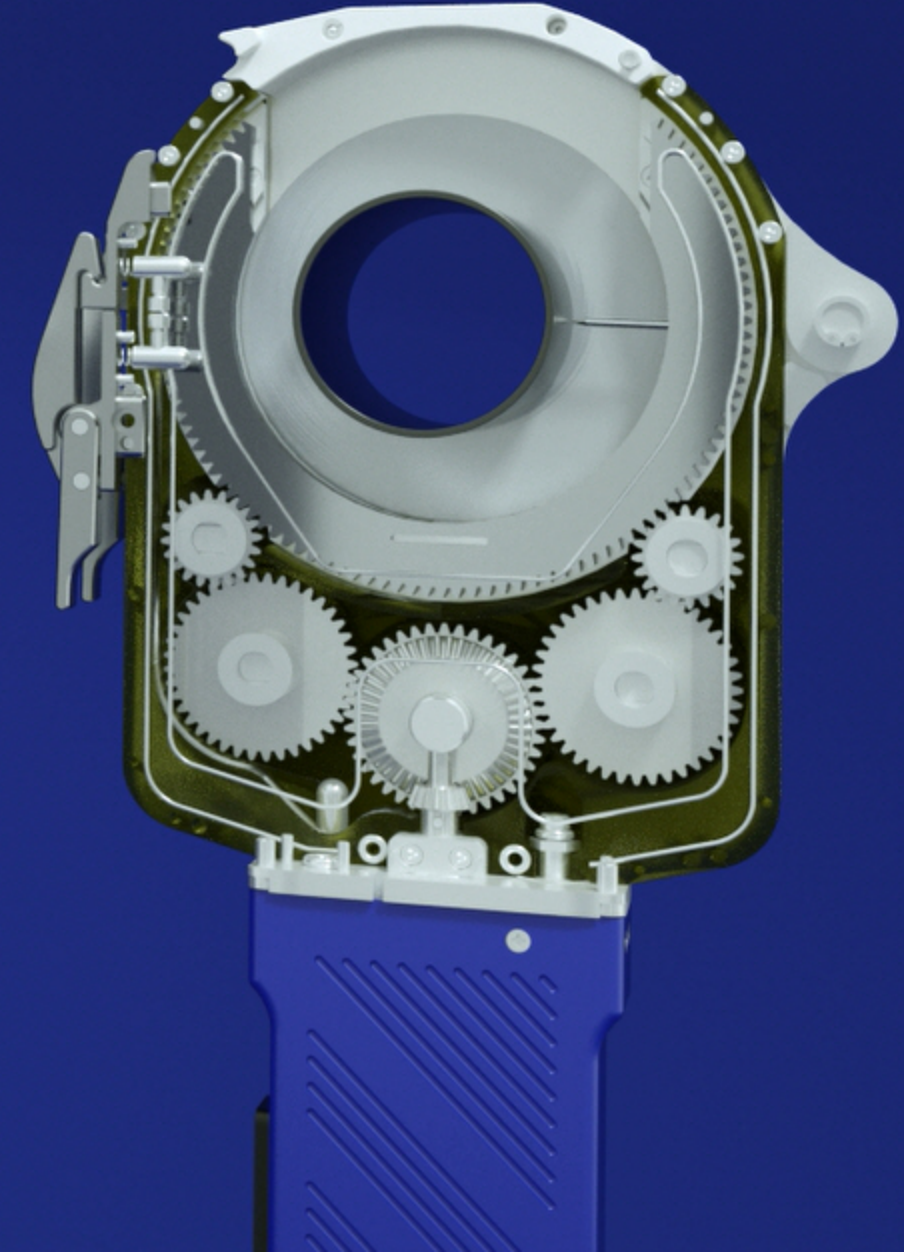
DIGITAL CONTROLLED PERMANENT GAS



DIGITAL CONTROLLED PERMANENT-GAS



TRADITIONAL CYCLE



QUALITY AND COSTS

- Saves 2/3 of gas costs during idle
- Improves weld quality
- Less colorations
- Saves time

RELIABILITY "NEVER LOST" DATA



Better quality, reliability and flexibility by
IoT (Internet of things) / **Industrie 4.0** technology



- Future-oriented connectivity
- Avoid incomplete and lost welding parameters through 100% data recording and storage on a local network
- LAN / WLAN based, unlimited storage capacity on any hard disk



PRODUCTIVITY MONITORING

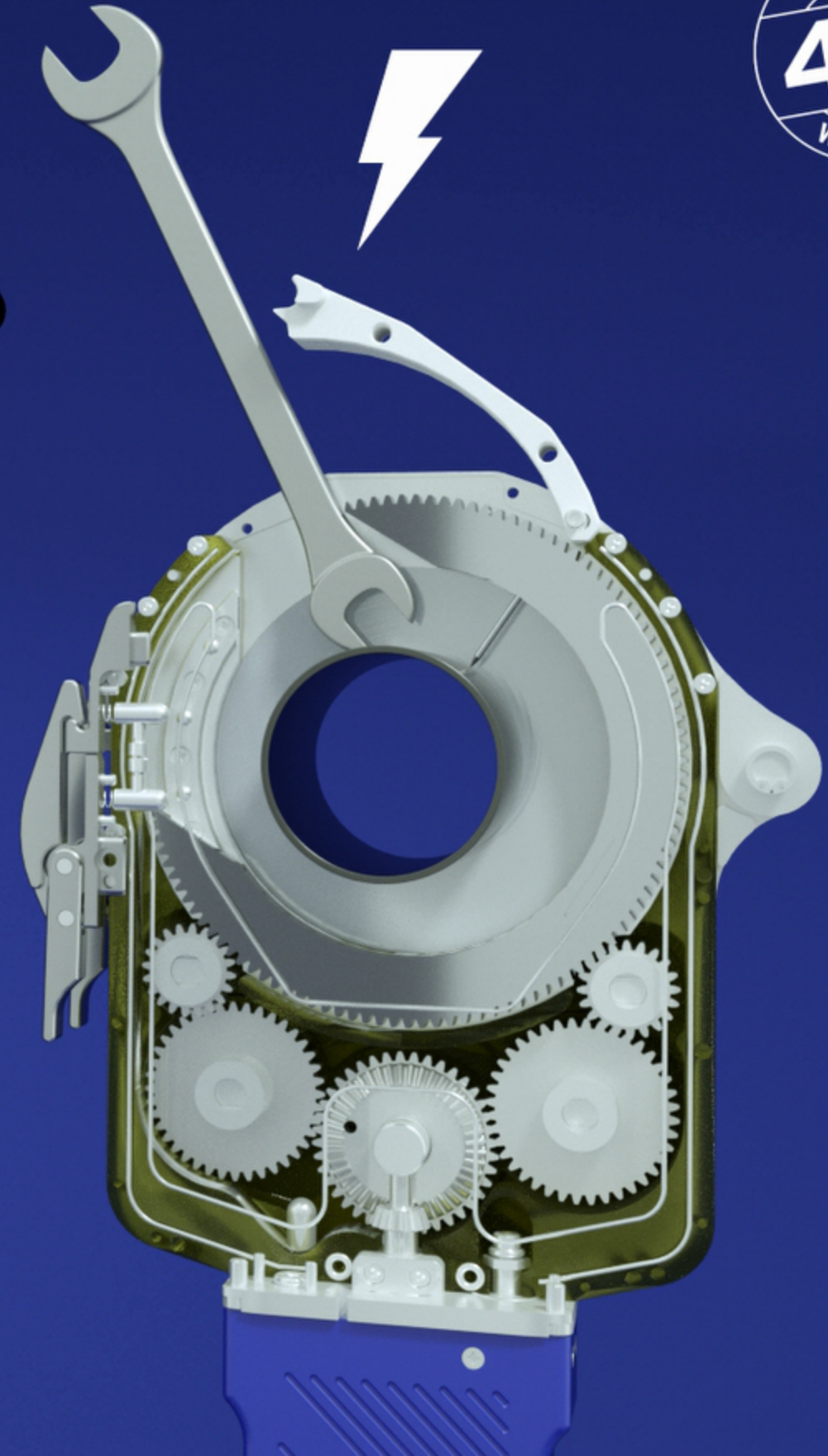
Sustainable quality management



- Quality monitoring in the power supply or from any other location
- Dynamic “on-the-fly” data access
- Permanent data recording - available anywhere at anytime
- Improved efficiency in production processes result in a more cost effective operation



INCREASED SAFETY ROTOR TORQUE CONTROL



- Prevents damage to the machine
- Reduced downtimes of the machine
- Extended product lifetime
- Minimized risk of operator injuries

INTUITIVE AND EFFICIENT OPERATION



- Easy to use interface
- Autoprogramming
- Multiple languages
- Metric and imperial units





MAIN FEATURES

- TIME SAVING
- COST SAVING
- RELIABILITY
- PRODUCTIVITY MONITORING
- ENHANCED SAFETY
- INTUITIVE AND EFFICIENT OPERATION



OTHER FEATURES

- Built-in water cooling system
- Compact, rugged chassis
- Integrated handles
- Protected connections
- IP23 housing
- 180 Ampere weld current
- Secure and reliable operating system
- Integrated printer
- 110-230V AC wide-range input