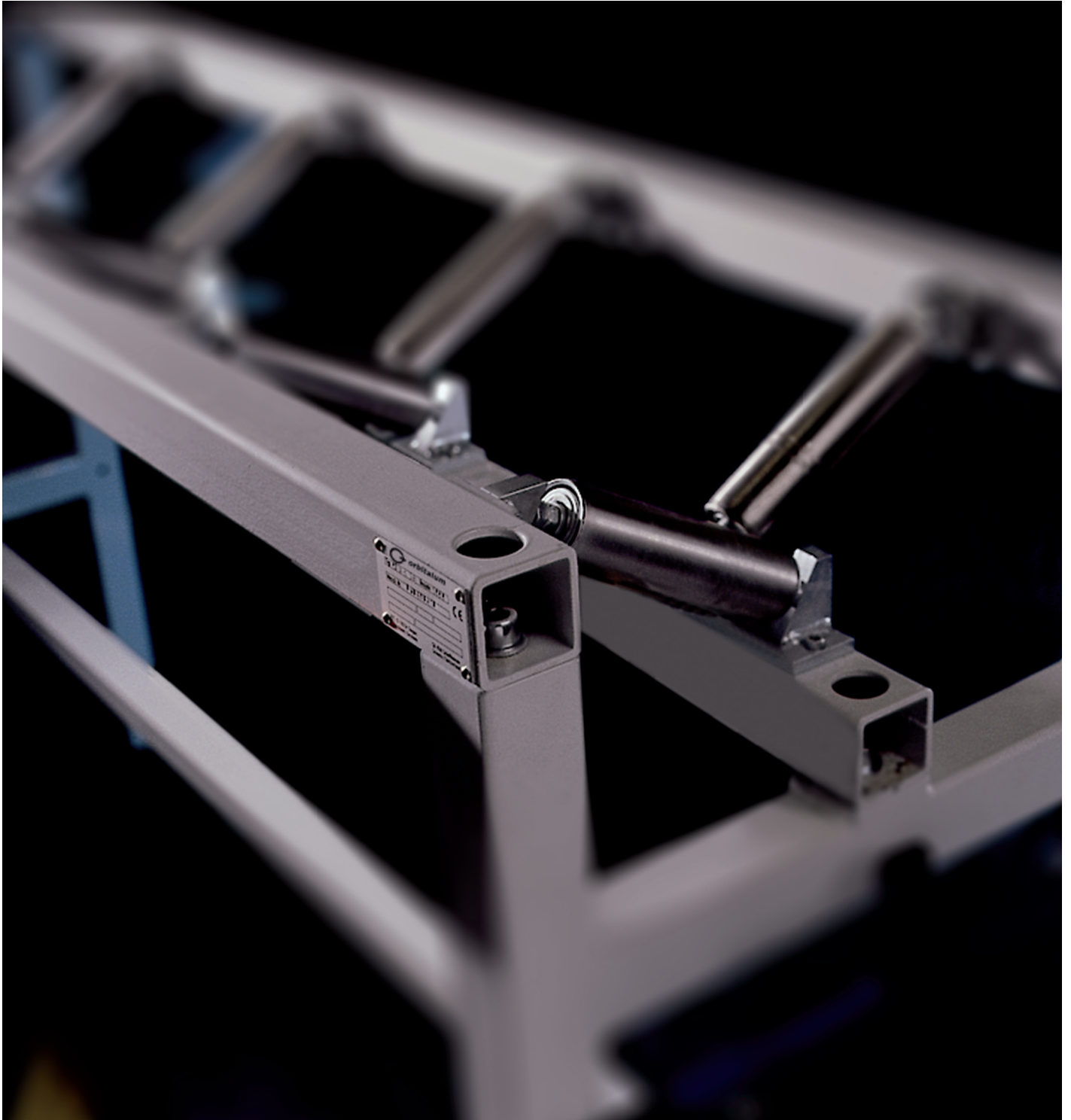


# Accessories for GF and RA machines





GF TOP



GF LUB



Special gear oil

## Accessories for GF and RA machines

### Saw blade lubricant GF TOP

**Synthetic high-performance lubricant for cutting and beveling machines.**

Increases the tool life of the saw blade.

Meets the requirements for H2 lubricants.

The screwable brush guarantees an easy and uniform application of lubricant on the saw blade.

| ARTICLE                    | VERSION     | CODE               | KG    |
|----------------------------|-------------|--------------------|-------|
| Saw blade lubricant GF TOP | Tube, 180 g | <b>790 060 228</b> | 0.205 |

### Saw blade lubricant GF LUB

**Chlorine-free high-performance lubricant for cutting and beveling.**

Increases the tool life of the saw blade.

This ecologically cutting compound is the environmentally friendly replacement for ROCOL: just with a new name and improved quality.

GF LUB meets the latest environmental directives and ecological standards.

| ARTICLE                    | VERSION      | CODE               | KG    |
|----------------------------|--------------|--------------------|-------|
| Saw blade lubricant GF LUB | Tube, 160 ml | <b>790 041 016</b> | 0.160 |

### Special gear oil

**For all GF and RA machines.**

| ARTICLE          | VERSION        | CODE               | KG    |
|------------------|----------------|--------------------|-------|
| Special gear oil | Bottle, 250 ml | <b>790 041 030</b> | 0.235 |

## Swivel cable

To prevent twisting of the cable.  
 For all GF, RA and PS machines with protection class II (double insulated).

| ARTICLE               | VERSION               | CABLE LENGTH |       | CODE               |  | KG    |
|-----------------------|-----------------------|--------------|-------|--------------------|--|-------|
|                       |                       | [M]          | [FT]  |                    |  |       |
| Swivel cable complete | 230 V, 50/60 Hz EU    | 4            | 13.12 | <b>790 142 081</b> |  | 0.680 |
| Swivel cable complete | 120 V, 50/60 Hz US/CA | 4            | 13.12 | <b>790 142 082</b> |  | 0.654 |
| Swivel cable complete | 230 V, 50/60 Hz CH    | 4            | 13.12 | <b>790 142 083</b> |  | 0.595 |
| Swivel cable complete | 230 V, 50/60 Hz AU    | 4            | 13.12 | <b>790 142 084</b> |  | 0.655 |
| Swivel cable complete | 120 V, 50/60 Hz GB    | 4            | 13.12 | <b>790 142 087</b> |  | 0.740 |
| Swivel cable          | 230 V, 50/60 Hz EU    | 4            | 13.12 | <b>790 142 076</b> |  | 0.560 |
| Swivel cable          | 120 V, 50/60 Hz US/CA | 4            | 13.12 | <b>790 142 077</b> |  | 0.740 |
| Swivel cable          | 230 V, 50/60 Hz CH    | 4            | 13.12 | <b>790 142 078</b> |  | 0.520 |
| Swivel cable          | 120 V, 50/60 Hz GB    | 4            | 13.12 | <b>790 142 079</b> |  | 0.630 |
| Swivel cable          | 230 V, 50/60 Hz AU    | 4            | 13.12 | <b>790 142 080</b> |  | 0.560 |



Swivel cable complete



Swivel cable

## Quick-mounting base plates with integrated screw clamps

For quick mounting of the machine on work benches.  
 Ideal for frequent changes of location.

| ARTICLE   | CODE               |  | KG    |
|---|--------------------|--|-------|
| Quick-mounting base plate for GFX 3.0, RA 2, RA 21 S                            | <b>790 041 027</b> |  | 4.230 |
| Quick-mounting base plate for GF 4, GF 6, GFX 6.6, RA 4, RA 6, RA 8, RA 41 Plus | <b>790 042 027</b> |  | 6.165 |
| Quick-mounting base plate for PS 4.5, PS 4.5 Plus and PS 6.6                    | <b>790 048 334</b> |  | 2.600 |



Quick-mounting base plates with integrated screw clamps

## Mobile workstation

**For the mobile site and/or workshop. The ideal addition for all Orbitalum pipe cutters (with exception of GF 20 AVM. RA 2, PS 4.5, PS 4.5 Plus, PS 6.6 on request).**

### Advantages:

- Safe and easy transportation of machines and equipment on site
- Flexible operation at each working station
- Elimination of material handling and setting up of the machines e.g. no requirement to mount the machines to benches
- Height-adjustable pipe support with stainless steel roller
- The tool box comes with 4 drawers for tools and equipment and is lockable
- Lifting table with height adjustment of the GF- and RA-machines to the required pipe dimension
- Accurate and clean work by swarf collection tray



Mobile workstation

| TECHNICAL DATA         | MOBILE WORKSTATION                        |
|------------------------|---|
| Dimensions (l x w x h) | 115 x 43 x 91 cm<br>45.3" x 16.9" x 35.8" |
| Load capacity max.     | 675 kg<br>1488.1 lbs                      |

| ARTICLE            | CODE               |  | KG      |
|--------------------|--------------------|--|---------|
| Mobile workstation | <b>790 068 071</b> |  | 137.000 |

## PIPE CUTTING AND BEVELING TECHNOLOGY



Pipe feeder base unit



Pipe feeder extension unit

## Pipe feeder base unit and extension unit

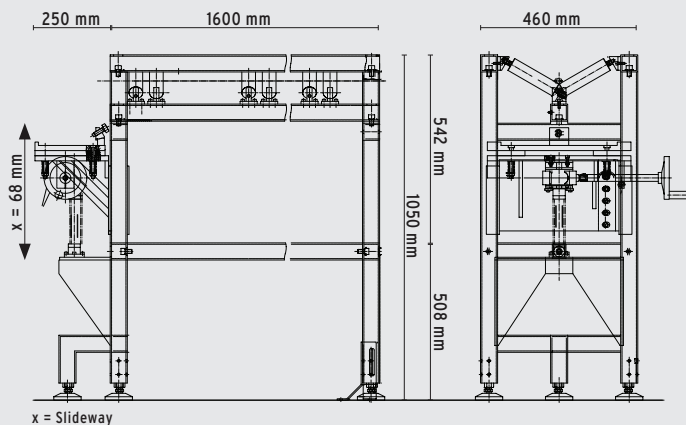
The pipe feeder accurately feeds long and heavy pipes into GF and RA machines. Very sturdy and stable design with powder-coated frames and stainless steel rollers.

### Advantages:

- Extremely stable and sturdy
- Fast adjustment of dimensions
- Centerline of tubes and pipes adjust easily in seconds
- Steel frame coated for maintenancefree finish
- Rollers made of stainless steel
- Extension of the pipe feeder possible with extension unit
- Saves time and money
- Perfect for all kinds of steel

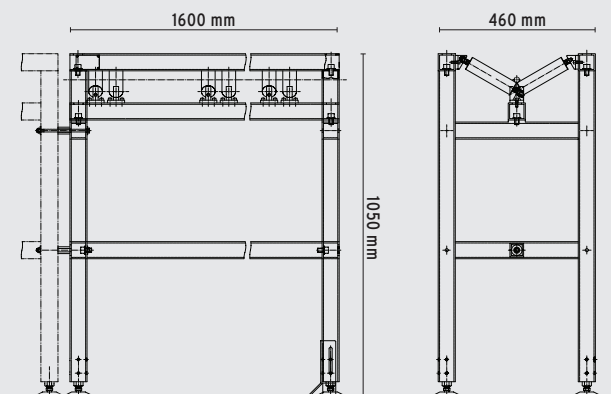
### Base unit:

Fits all pipe cutting and beveling machines from Orbitalum Tools (except the RA 21 S and GF 20 AVM. RA 2, GFX 3.0, PS 4.5, PS 4.5 Plus and PS 6.6 on request). The machines can be directly mounted onto the base plate of the pipe feeder base unit, without further parts. The machines can be easily adjusted to the required cutting dimension using the handwheel-operated mechanical height adjustment. The machine is securely fastened to the base plate.



### Extension unit:

To extend the base unit, can be used singularly or in multiples, easily bolted together.



### Floor bracket accessory:

To fasten the base unit or the extension unit to the floor.  
 The assembly consists of 4 brackets and 8 bolts with washers.

| APPLICATION RANGE/<br>TECHNICAL DATA                  | PIPE FEEDER<br>BASE UNIT                   | PIPE FEEDER<br>EXTENSION UNIT                   |         |
|---|--|---|---------|
| Tube OD   | 16 - 325 mm<br>0.63" - 12.8"               | 16 - 325 mm<br>0.63" - 12.8"                    |         |
| Dimensions approx.                                    | 185 x 105 x 50 cm<br>72.8" x 41.3" x 19.7" | approx. 160 x 105 x 50<br>62.9" x 41.3" x 19.7" |         |
| Load capacity max.                                    | 400 kg<br>881.8 lbs                        | 400 kg<br>881.8 lbs                             |         |
| Height-adjustable mounting plate<br>(adjusting range) | 68 mm<br>2.68"                             | -<br>-  |         |
|   |  |   |         |
| ARTICLE   | CODE                                       |   | KG      |
| Pipe feeder base unit                                 | <b>790 068 051</b>                         |   | 116.000 |
| Pipe feeder extension unit                            | <b>790 068 061</b>                         |   | 72.000  |
| Floor bracket accessory                               | <b>790 068 053</b>                         |   | 1.900   |

### Other accessories

- Saw blades and bevel cutters, see from page 27
- Collapsible work bench, see page 82